

January 2017

KnK/NL0117

E-mail: enquiries@knkkarts.com

Website: www.knkkarts.com

KnK Tyremate

Development at KnK never stops. We have our finger on the pulse of requirements and difficulties that are faced by the Go Karting community at all times. This thinking and approach are evident in every KnK product manufactured.



Changing hard compound tyres is a constant issue at most rental Go Kart tracks. Calloused hands and skinned knuckles are a common sight with people occupied in this task. We have addressed this issue with the introduction of the KnK Tyremate.

Constructed around a practical thought with concerns towards making an otherwise tedious task simple. The Tyremate makes removing and fitting tyres to Go Karts rims a breeze. Please click on the link to see the You Tube demonstration on how simple the Tyremate makes this chore.

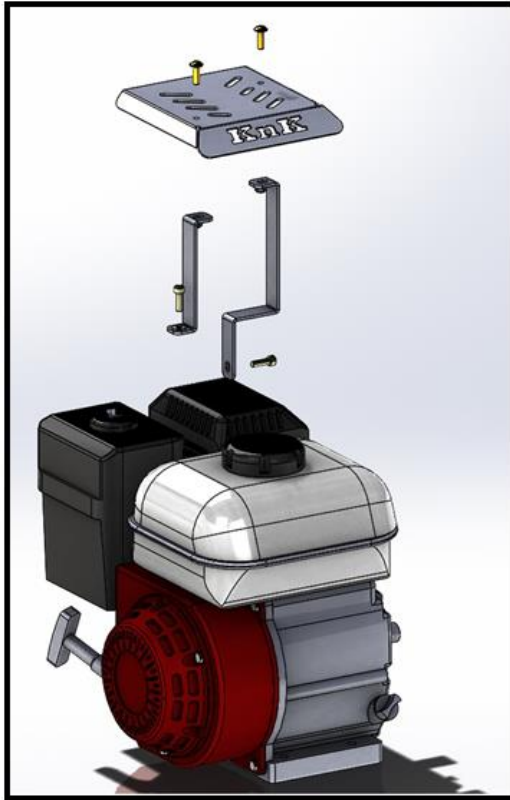
<http://www.knkkarts.com/tyremate.html>

KnK Tyremate – “You’ve got a friend!”



KnK Exhaust Shield

A simple kit that fits onto the Honda GX 160 and GX 200 engines making burnt elbows and forearms a thing of the past. A must for rental kart businesses who care about their guests.



The kit comprises all the parts and fasteners needed to complete the task of providing a shield over the hot exhaust of these Honda engines.

Talk Soon!

KnKkarts